

STANDARD PLANS
for
RESIDENTIAL STORAGE BUILDINGS
or
SHEDS

The City of Palm Coast Building Department is pleased to announce a program for home owners who wish to build their own storage building or shed. The Department's Plan Review staff as developed a typical design which can be used to construct a wood framed building with a maximum width and length of 10 feet and a maximum height, at the roof peak, of 12 feet. The plan provides options for placing the building on a concrete slab or an anchored wood floor system, placing door(s) and/or window(s) in the walls and allowing you to choose the finish material to be applied over the exterior structural sheathing.

DEVIATIONS FROM THIS PLAN ARE NOT ALLOWED

The plan is simple, easy to read and provides many details and notes to guide a person with basic knowledge of construction through the project.

Ask a Permit Technician for more information.

CITY OF PALM COAST BUILDING DEPARTMENT

2 Commerce Blvd – Palm Coast FL 32164

ph (386) 986-3780, fax (386) 986-3781, www.ci.palm-coast.fl.us

BUILD - A - SHED

Standard Details for Wood Framed Sheds

Index to Drawings	
Description	Drawing No.
Cover Sheet	C-1
General Notes	G-1
Foundation Plan (Option 1)	A-1
Wall Section	A-2
Enlarged Details	A-3
Floor Framing Plan (Option 2)	A-4
Cable Tie Down Details	A-5
Floor Framing	A-6
Wall Framing	A-7
Framing at Door Opening	A-8
Framing at Window Opening - Sidewall	A-9
Framing at Window Opening - Endwall	A-10
Connector Details	A-11
Ridge Beam and Collar Beam Details	A-12
Roof Framing Plan	A-13
Nailing Pattern	A-14

Wood Framed Sheds

Cover Sheet

Dwg. Number:

C-1

General Notes

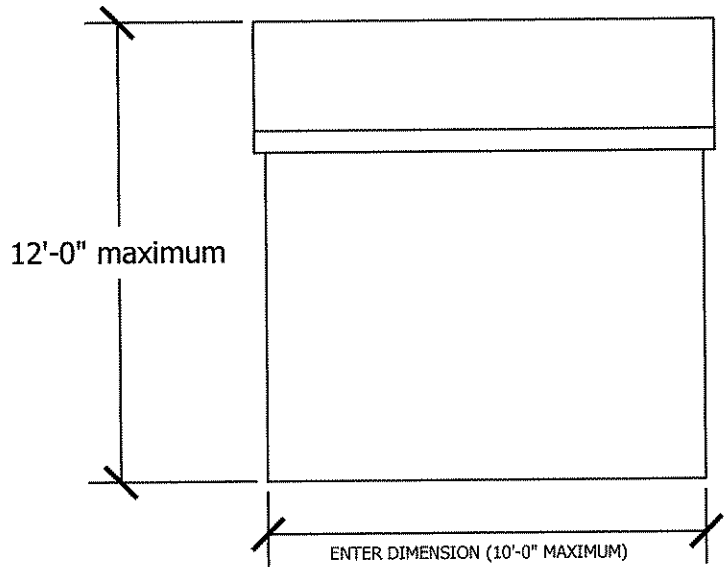
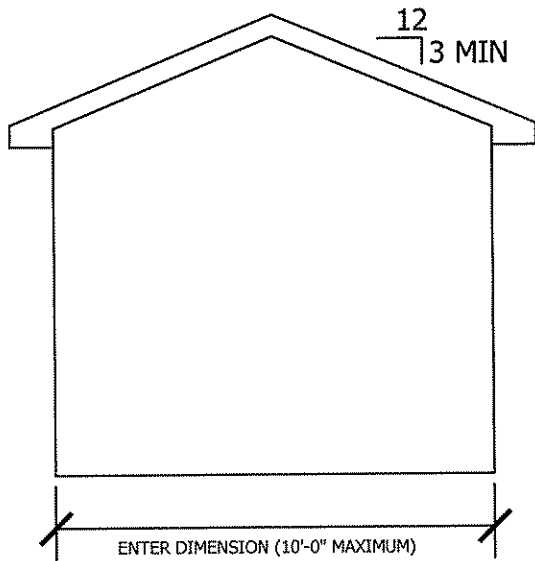
1. Prescriptive design parameters are according to The Wood Frame Construction Manual 2001 Edition under the provisions of section 1609.1.1, paragraph (4) of the Florida Building Code - 2004 Edition.
2. Wall sheathing shall be exterior grade wood structural panel with a minimum thickness of ½ inch if installed horizontally with long dimension on vertical studs or a minimum thickness of 19/32 inch if installed vertically on studs.
3. Exterior wall vapor barrier, siding or finish is optional.
4. Wall studs spacing shall not exceed 24" on center.
5. Window openings are optional, locations are at the center of the wall. Width of window opening shall not exceed 4 ft.
6. Header lumber for window and door openings up to 4 ft wide shall be made of 2-2"x 4".
7. Jack studs to support headers on window and door openings up to 4ft wide shall be made of 1-2" x 4" located at each end of the header.
8. Roof rafter spacing shall not exceed 24" on center.
9. Collar ties (collar beams) of nominal 2"x 4" lumber shall be located in the upper third of the attic space and attached to rafters with a minimum of 2-10d common nails at each end.
10. Roof sheathing shall be a minimum of 7/16" thick of wood structural panel and shall be installed with the long dimension across the rafter supports. Edges of all 7/16 inch roof structural panel supported at 24" on center, shall be supported with blocking or edge clips.
11. Roof structural panel shall be attached to supports with 8d common nails or 10d box nails and spacing shall not exceed 6" on center.
12. Roofing material, windows and doors shall have a Florida product approval and shall be installed according to manufacturer's specifications.

Wood Framed Sheds

General Notes

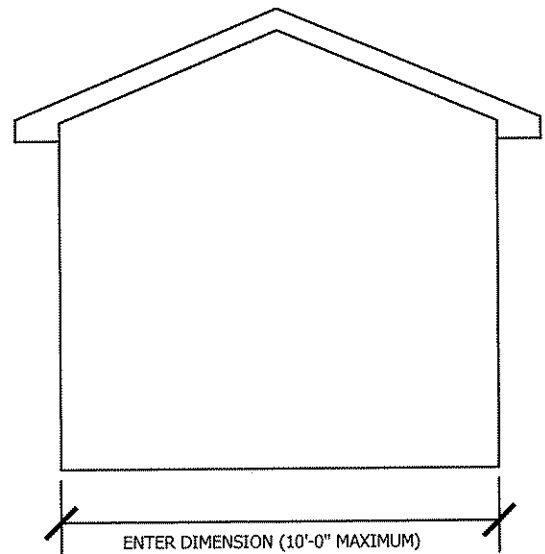
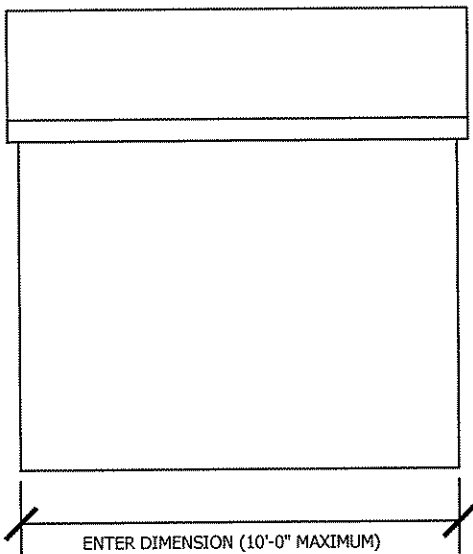
Dwg. Number:

G-1



1 _____
ENTER ELEVATION TYPE: FRONT, RIGHT, REAR OR LEFT

2 _____
ENTER ELEVATION TYPE: FRONT, RIGHT, REAR OR LEFT



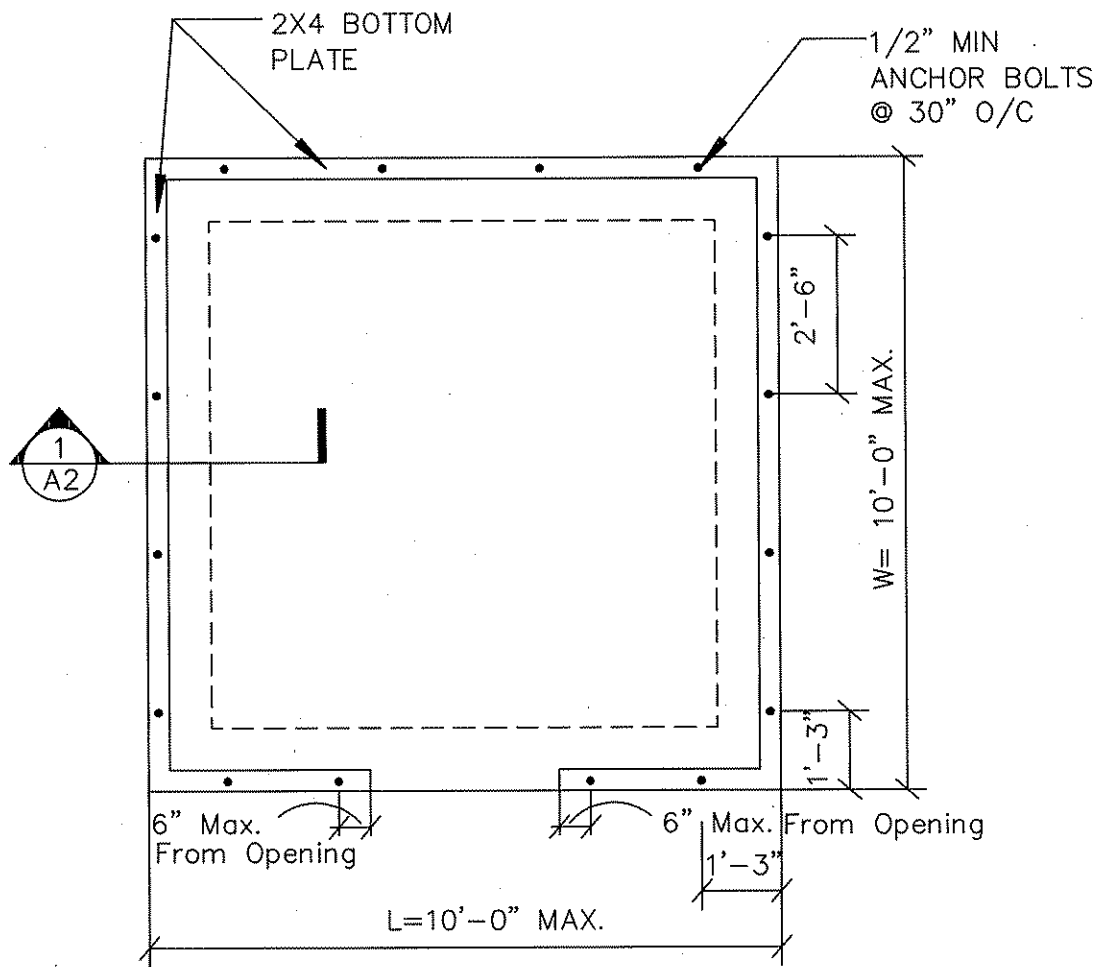
3 _____
ENTER ELEVATION TYPE: FRONT, RIGHT, REAR OR LEFT

4 _____
ENTER ELEVATION TYPE: FRONT, RIGHT, REAR OR LEFT

SHED ELEVATIONS

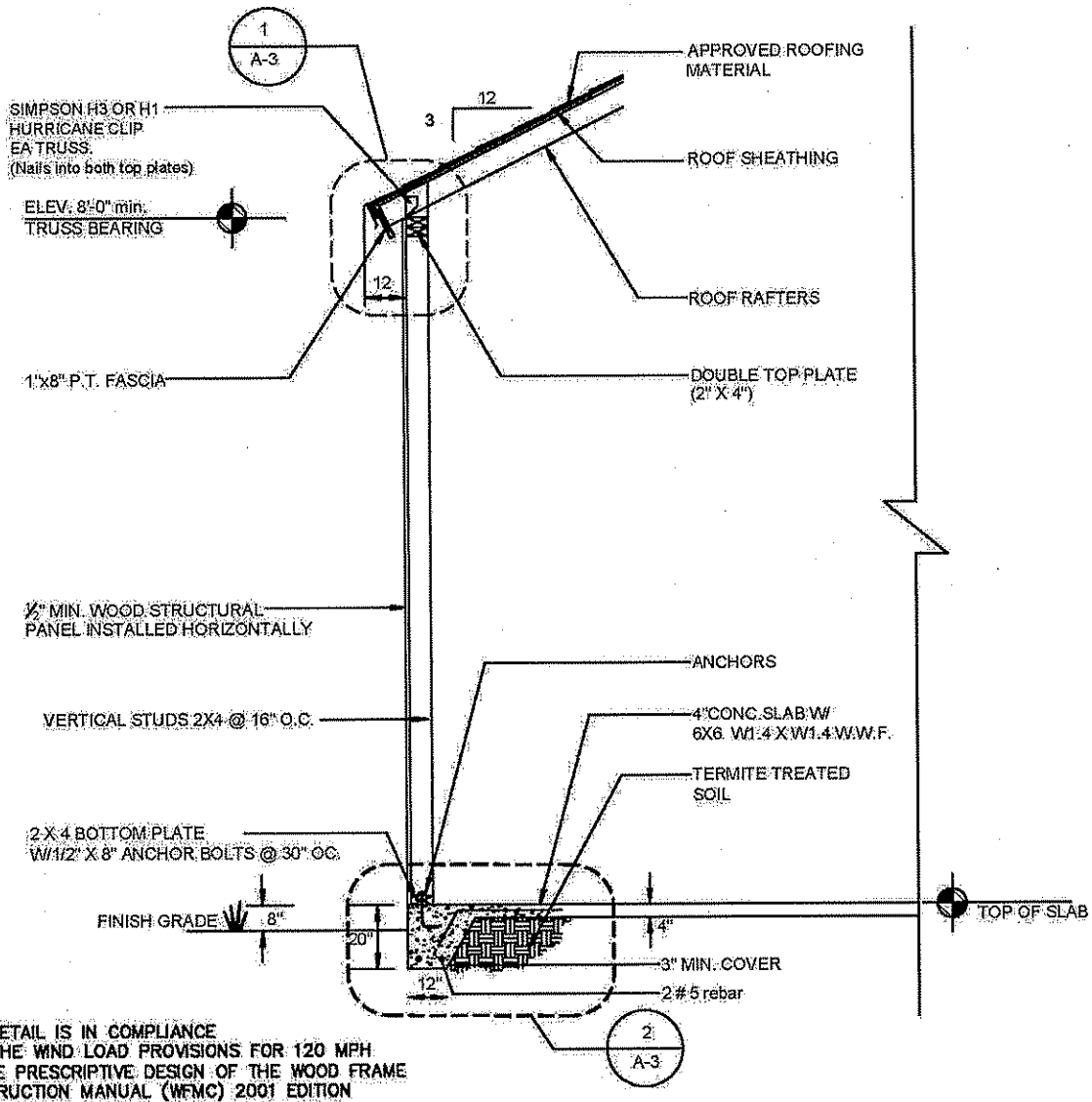
INSTRUCTIONS:

- STEP 1: IDENTIFY ELEVATION TYPE FOR EACH ELEVATION (FRONT, RIGHT, REAR AND LEFT)
- STEP 2: SKETCH WINDOW AND DOOR OPENINGS ON EACH ELEVATIONS. DENOTE SIZE OF EACH.
- STEP 3: IDENTIFY WALL COVERING MATERIAL(S) TO BE USED (vinyl siding, hardiboard, stucco, etc.) _____
- STEP 4: IDENTIFY ROOF MATERIAL COVERING TO BE USED (ashpahlt shingles, metal panels) _____
- STEP 5: IDENTIFY COLORS OF WALL MATERIAL, TRIM, DOORS, WINDOWS AND ROOF ON COLOR AND MATERIAL SHEET.



THIS DETAIL IS IN COMPLIANCE WITH THE WIND LOAD PROVISIONS FOR 120 MPH OF THE PRESCRIPTIVE DESIGN OF THE WOOD FRAME CONSTRUCTION MANUAL (WFMC) 2001 EDITION

WOOD FRAMED SHEDS	OPTION 1	DETAIL NUMBER:	A-1
	SLAB ON GRADE	SPEC. NUMBER:	45MM
FOUNDATION PLAN		SCALE:	3/8"=1'-0"
		DATE:	12/14/04
		REVISION DATE:	3/15/05
		DRAWN BY:	ANGEL
		APPROVED BY:	



STANDARD DETAIL

SCALE = 1/4" = 1'-0"

WOOD FRAMED
SHEDS

STANDARD DETAIL
WALL SECTION

DETAIL NUMBER:	A-2
SPEC. NUMBER:	45MM
SCALE:	1/4" = 1'-0"
DATE:	12/14/04
REVISION DATE:	3/15/05
DRAWN BY:	ANGEL
APPROVED BY:	

APPROVED ROOFING MATERIAL

SIMPSON H3 OR H1 HURRICANE CLIP EA. TRUSS (Nails into both top plates)

1" X 6" P.T. FASCIA

3

12

ROOF SHEATHING

ROOF RAFTERS

2" X 4" DOUBLE TOP PLATE NAILED TOGETHER WITH 2-16d COMMON NAILS EVERY 12"

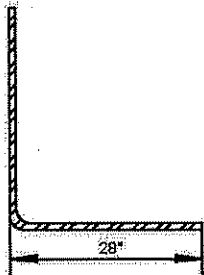
1 WALL TO ROOF DETAIL
A-3 SCALE= 3/4"=1'-0"

TYPICAL CONNECTOR RSP4 STUD TO SINGLE BOTTOM PLATE

2 X 4 PT BOTTOM PLATE W/ 2" X 8" ANCHOR BOLTS @ 30" OC.

8"
20"
12"
2 #5 REBAR

6 MILS VAPOR BARRIER
3" MIN. COVER



4 STANDARD HOOKS FOR #5 BAR

A-3 SCALE= 3/4"=1'-0"

2 FOUNDATION DETAIL
A-3 SCALE= 3/4"=1'-0"



3 SPLICE DETAIL FOR #5 BAR
A-3 SCALE= 3/4"=1'-0"

THIS DETAIL IS IN COMPLIANCE WITH THE WIND LOAD PROVISIONS FOR 120 MPH OF THE PRESCRIPTIVE DESIGN OF THE WOOD FRAME CONSTRUCTION MANUAL (WFMC) 2001 EDITION

WOOD FRAMED SHEDS

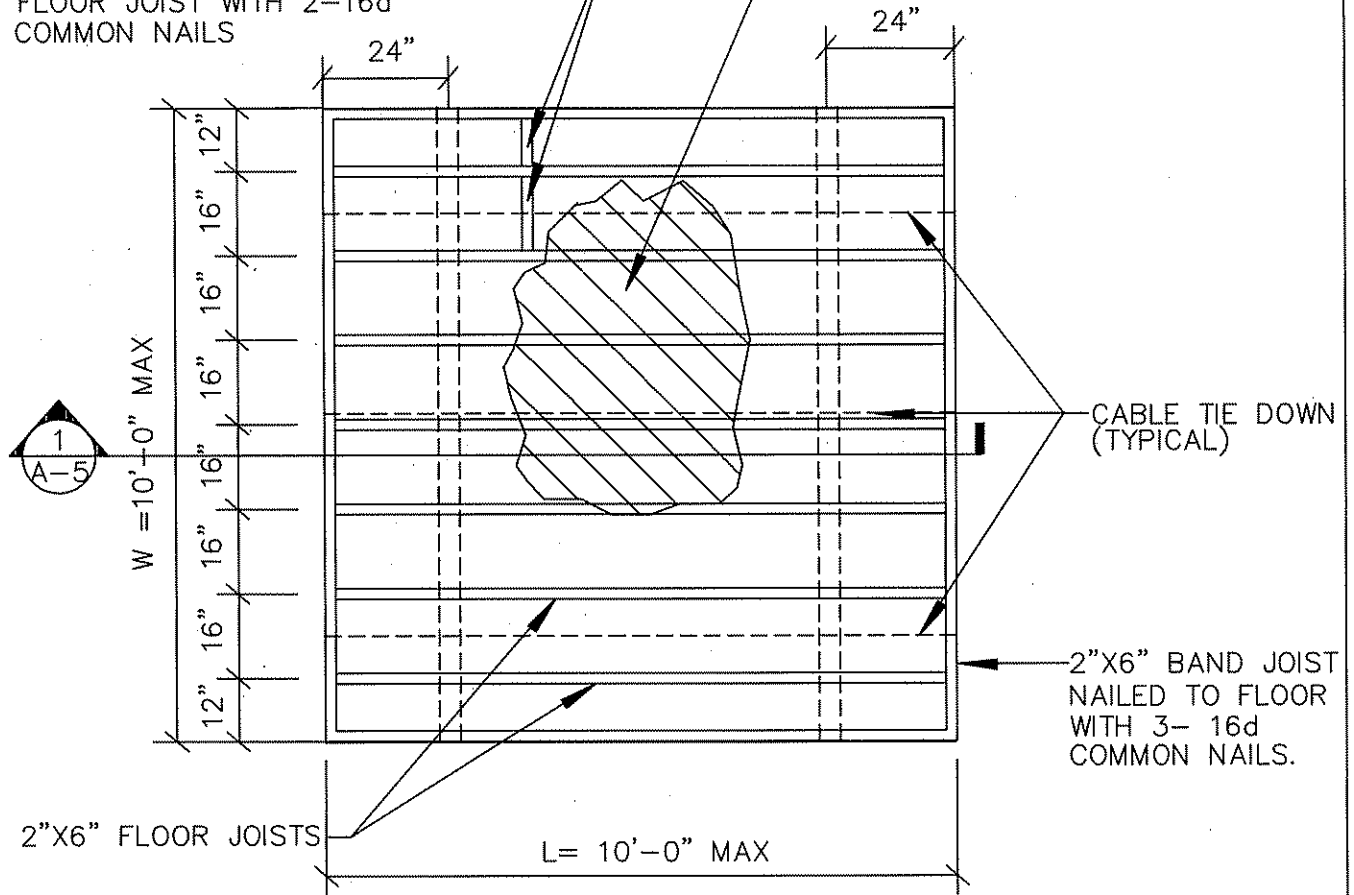
STANDARD DETAILS

ENLARGED DETAIL

DETAIL NUMBER:		A-3	
SPEC. NUMBER:		45MM	
SCALE:		3/4"=1'-0"	
DATE:	12/14/04	REVISION DATE:	3/15/05
DRAWN BY:	ANGEL	APPROVED BY:	

5/8" WOOD STRUCTURAL PANEL ON FLOOR
 NAILED TO FLOOR JOIST AND BLOCKING WITH
 8d COMMON NAILS

2"x4" TYPICAL BLOCKING UNDERNEATH
 PLYWOOD JOINTS NAILED TO
 FLOOR JOIST WITH 2-16d
 COMMON NAILS



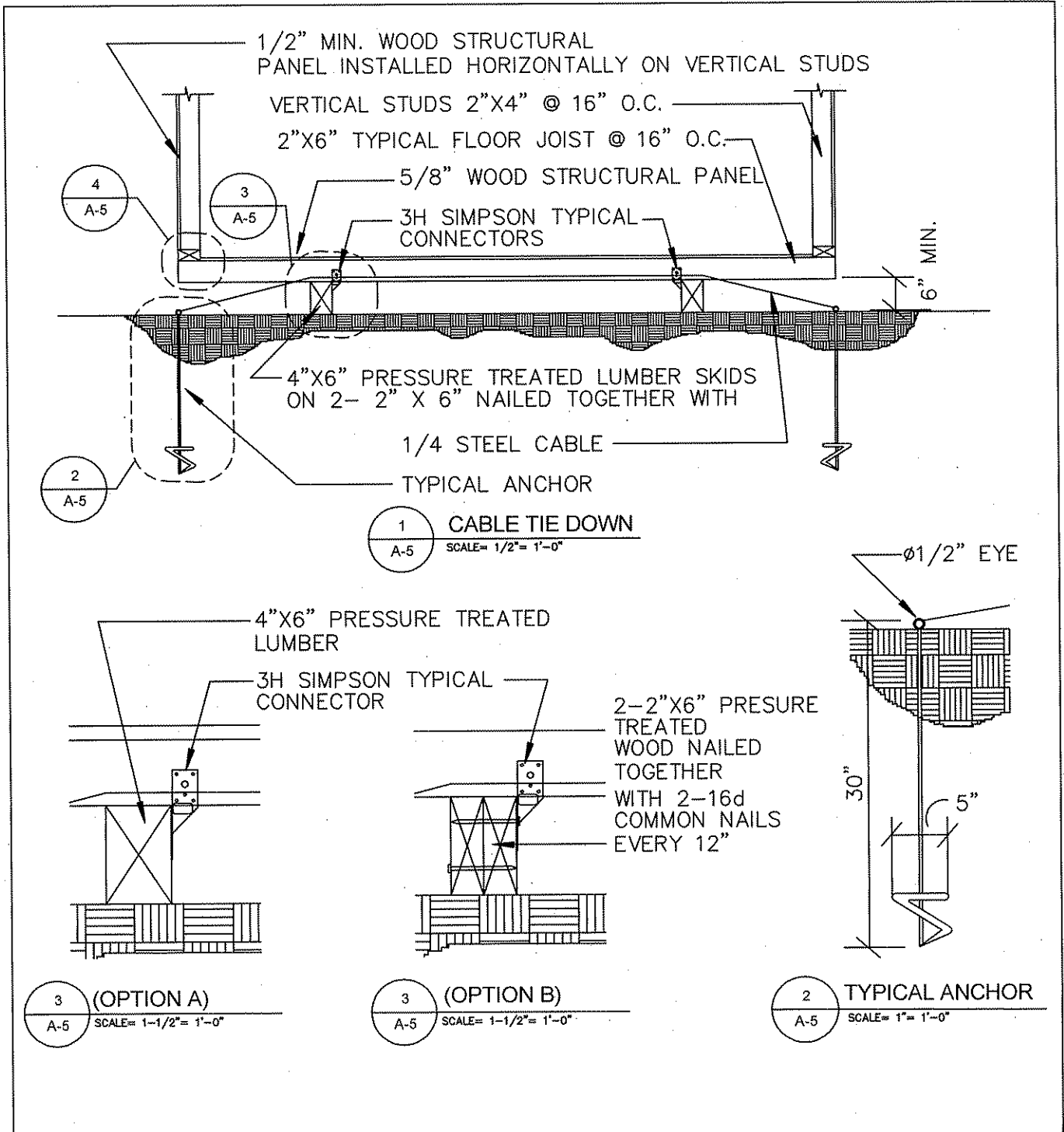
THIS DETAIL IS IN COMPLIANCE
 WITH THE WIND LOAD PROVISIONS FOR 120 MPH
 OF THE PRESCRIPTIVE DESIGN OF THE WOOD FRAME
 CONSTRUCTION MANUAL (WFMC) 2001 EDITION

WOOD FRAMED
 SHEDS

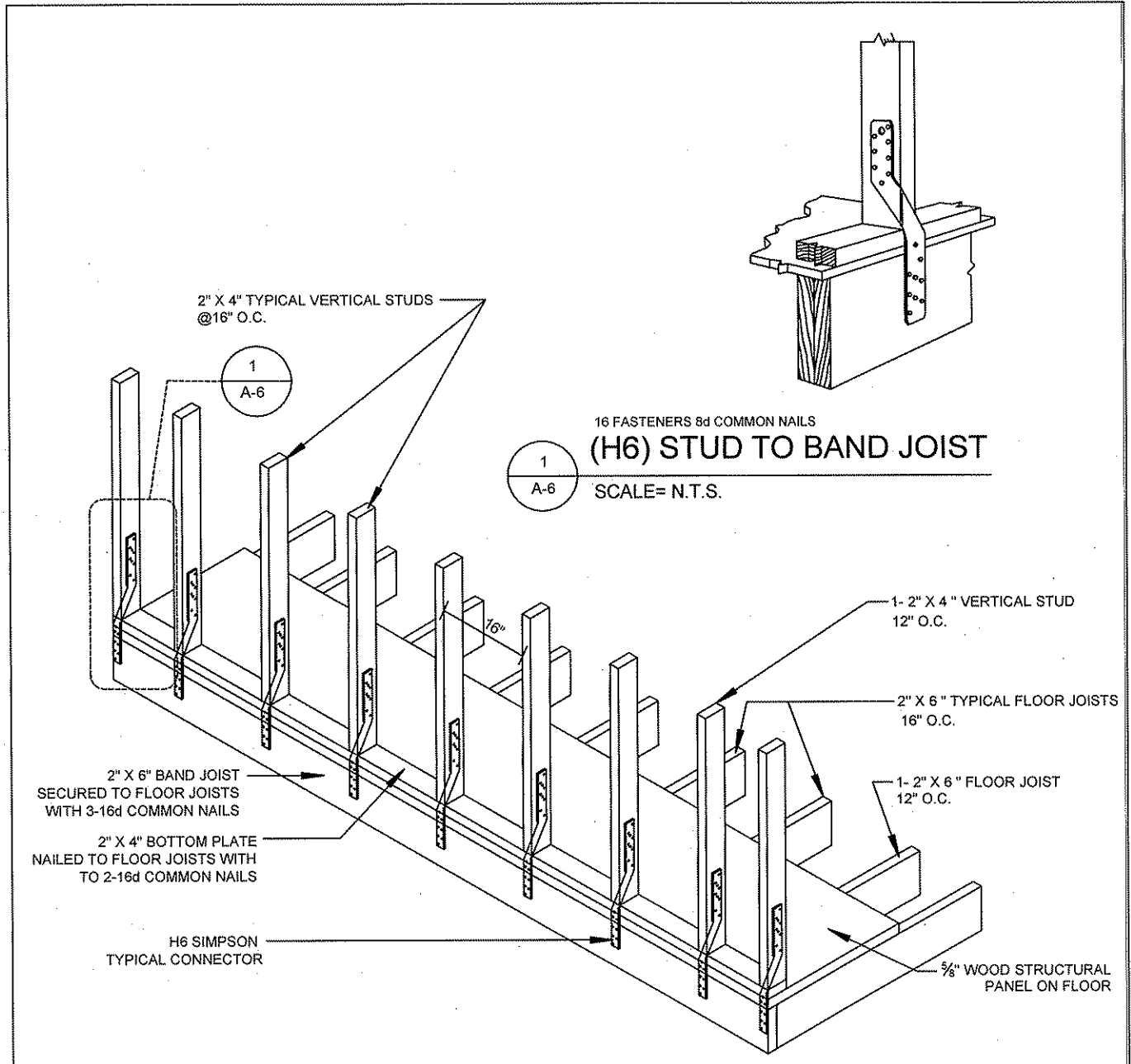
OPTION 2

FLOOR FRAMING PLAN

DETAIL NUMBER:		A-4
SPEC. NUMBER:		45MM
SCALE:		3/8" = 1'-0"
DATE:	REVISION DATE:	
12/14/04	3/15/05	
DRAWN BY:	APPROVED BY:	
ANGEL		

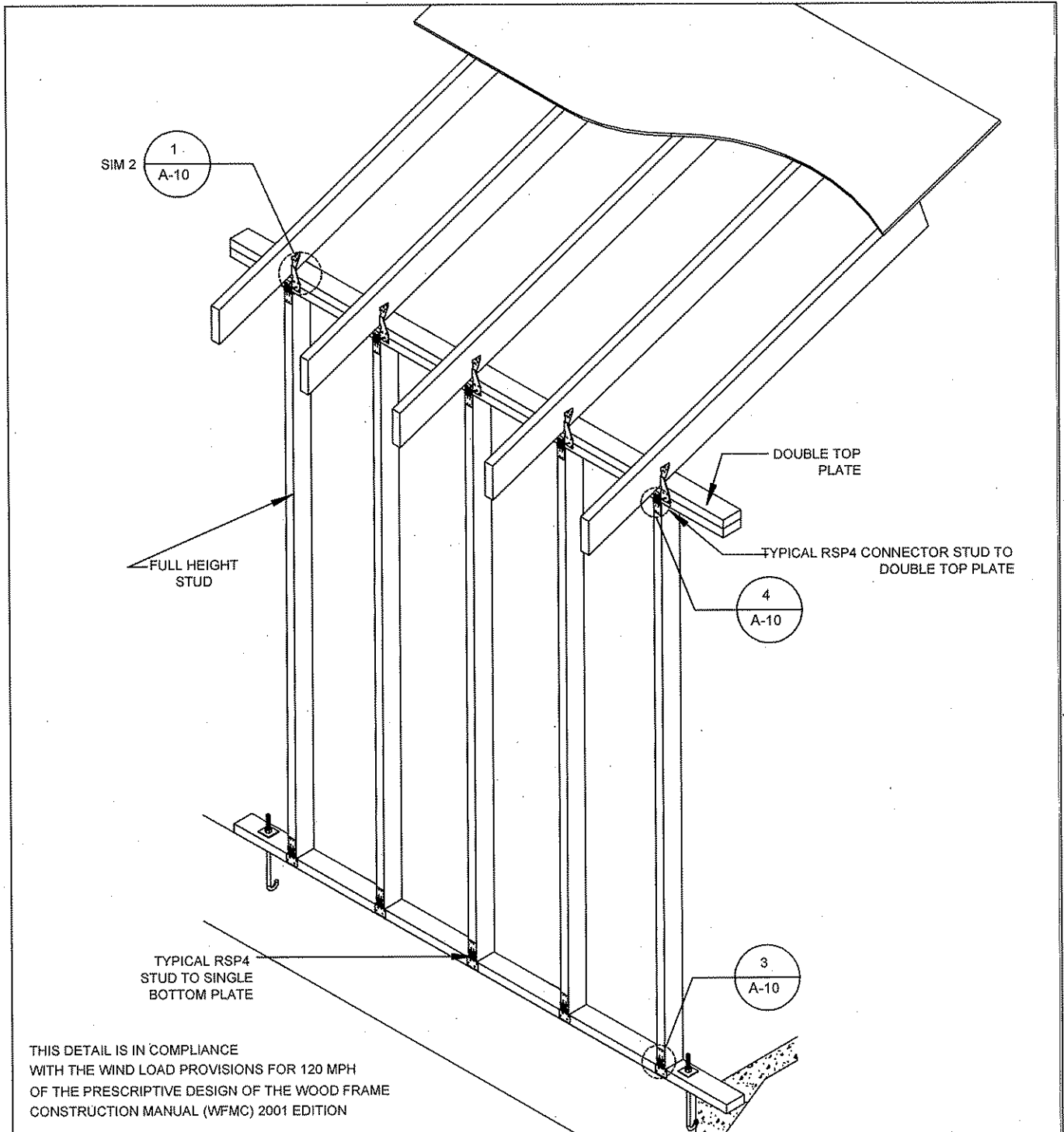


WOOD FRAMED SHEDS	OPTION 2 FLOOR FRAMING DETAIL	DETAIL NUMBER: A-5
	CABLE TIE DOWN	SPEC. NUMBER:
		SCALE: 1/2"=1'-0"
		DATE: 12/14/04
	DRAWN BY: ANGEL	APPROVED BY:



THIS DETAIL IS IN COMPLIANCE WITH THE WIND LOAD PROVISIONS FOR 120 MPH OF THE PRESCRIPTIVE DESIGN OF THE WOOD FRAME CONSTRUCTION MANUAL (WFMC) 2001 EDITION

WOOD FRAMED SHEDS	STANDARD DETAIL	DETAIL NUMBER:	A-6
	FLOOR FRAMING	SPEC. NUMBER:	45MM
		SCALE:	3/8"=1'-0"
		DATE:	12/14/04
		REVISION DATE:	3/15/05
		DRAWN BY:	ANGEL
		APPROVED BY:	

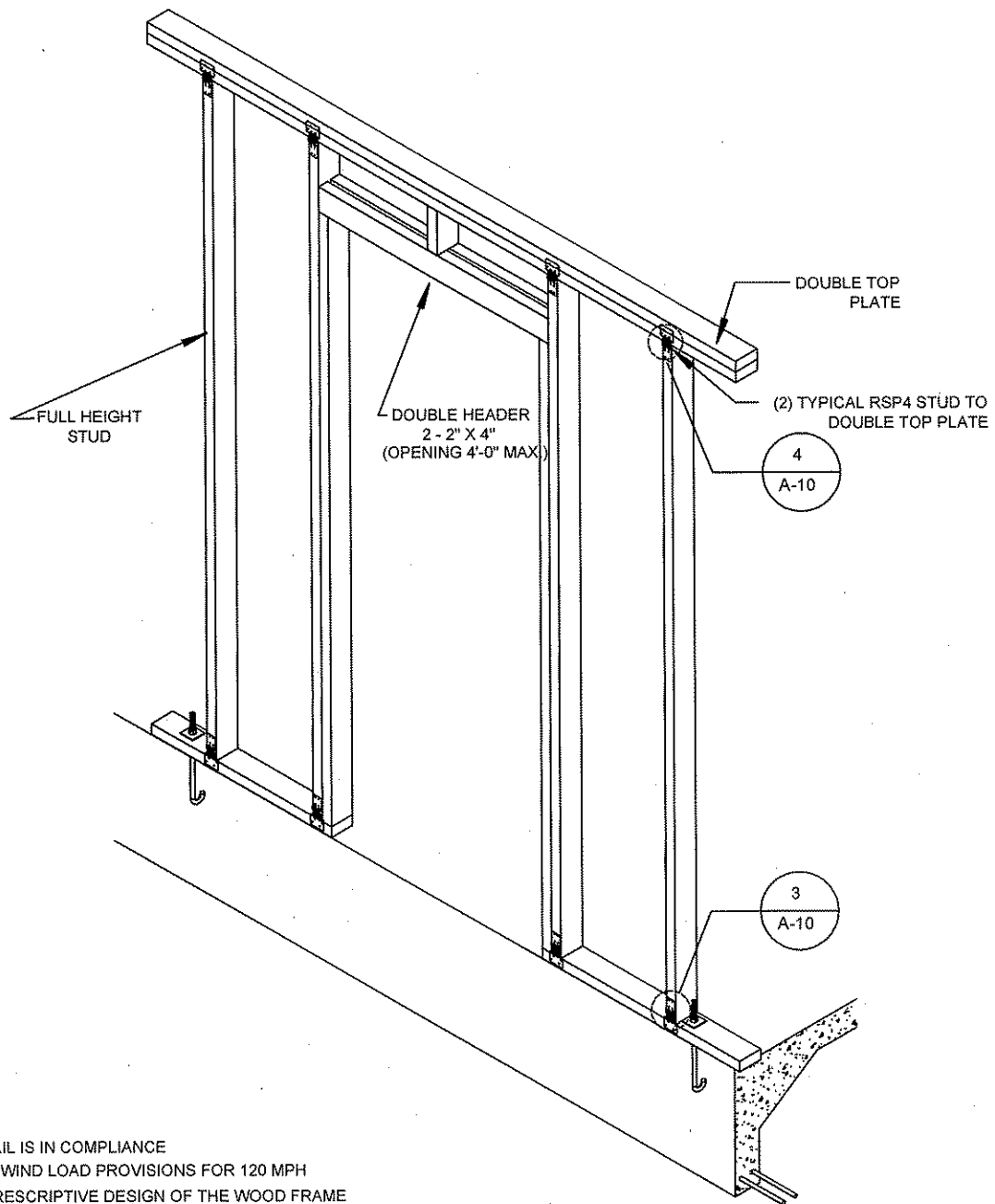


THIS DETAIL IS IN COMPLIANCE WITH THE WIND LOAD PROVISIONS FOR 120 MPH OF THE PRESCRIPTIVE DESIGN OF THE WOOD FRAME CONSTRUCTION MANUAL (WFMC) 2001 EDITION

WOOD FRAMED SHEDS

STANDARD DETAIL
WALL FRAMING

DETAIL NUMBER:	A-7
SPEC. NUMBER:	45MM
SCALE:	3/8"=1'-0"
DATE:	12/14/04
REVISION DATE:	3/15/05
DRAWN BY:	ANGEL
APPROVED BY:	



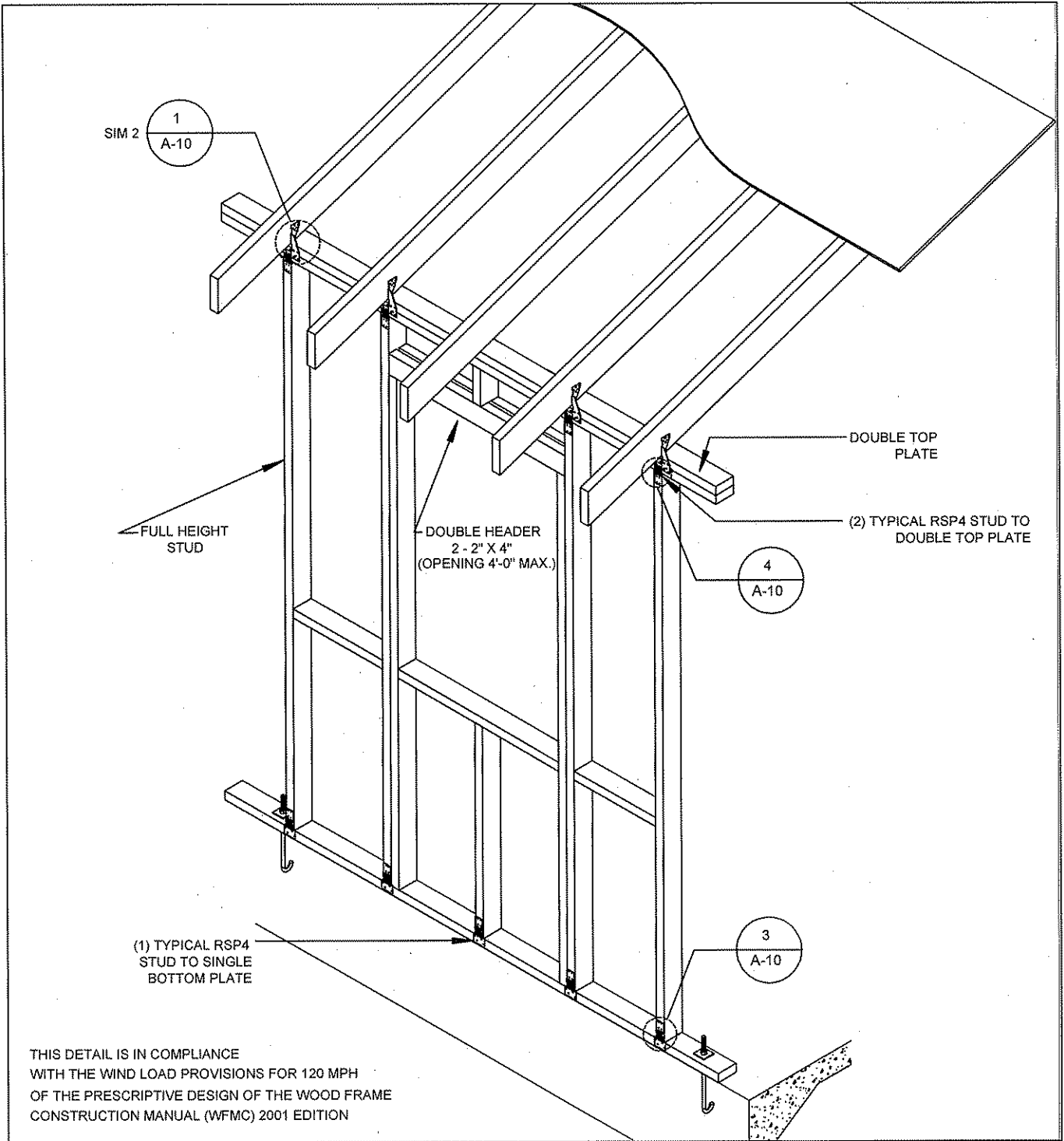
THIS DETAIL IS IN COMPLIANCE
 WITH THE WIND LOAD PROVISIONS FOR 120 MPH
 OF THE PRESCRIPTIVE DESIGN OF THE WOOD FRAME
 CONSTRUCTION MANUAL (WFMC) 2001 EDITION

WOOD FRAMED
 SHEDS

STANDARD DETAIL

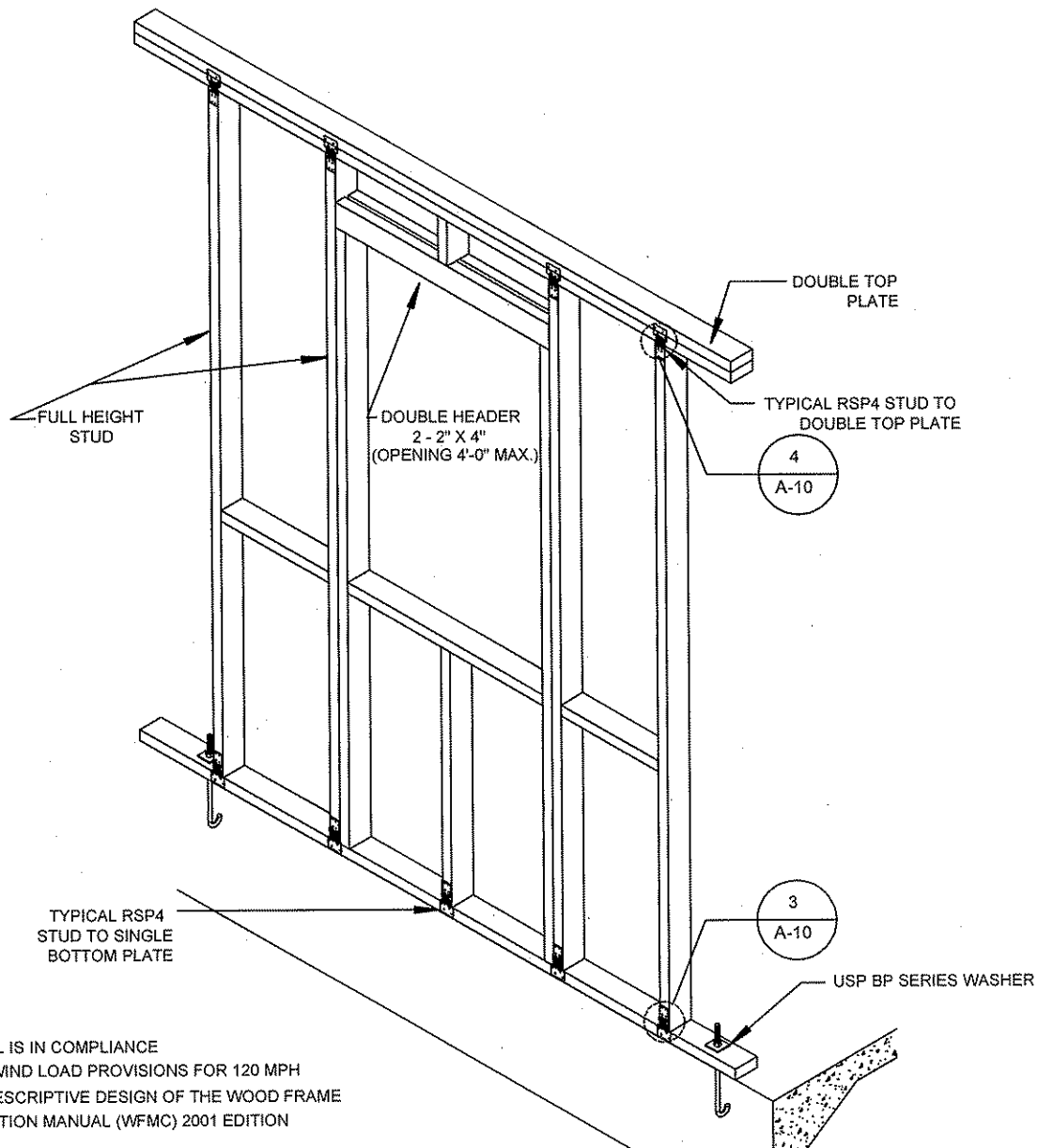
FRAMING AT DOOR OPENING

DETAIL NUMBER:		A-8
SPEC. NUMBER:		45MM
SCALE:		3/8"=1'-0"
DATE:	REVISION DATE:	
12/14/04	3/15/05	
DRAWN BY:	APPROVED BY:	
ANGEL		



THIS DETAIL IS IN COMPLIANCE WITH THE WIND LOAD PROVISIONS FOR 120 MPH OF THE PRESCRIPTIVE DESIGN OF THE WOOD FRAME CONSTRUCTION MANUAL (WFCM) 2001 EDITION

WOOD FRAMED SHEDS	STANDARD DETAIL	DETAIL NUMBER:	A-9
	FRAMING AT WINDOW OPENING SIDEWALL	SPEC. NUMBER:	45MM
SCALE:		3/8"=1'-0"	
DATE:		12/14/04	
REVISION DATE:		3/15/05	
		DRAWN BY:	ANGEL
		APPROVED BY:	



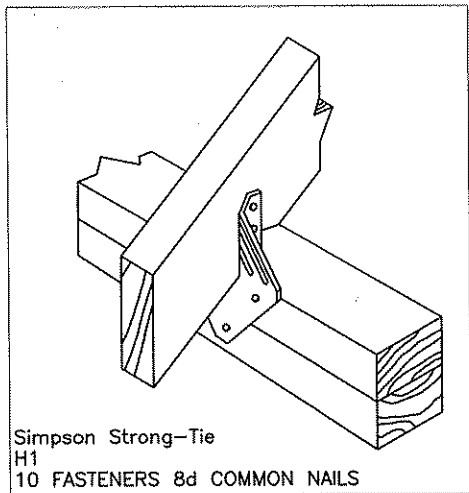
THIS DETAIL IS IN COMPLIANCE WITH THE WIND LOAD PROVISIONS FOR 120 MPH OF THE PRESCRIPTIVE DESIGN OF THE WOOD FRAME CONSTRUCTION MANUAL (WFCM) 2001 EDITION

WOOD FRAMED
SHEDS

STANDARD DETAIL

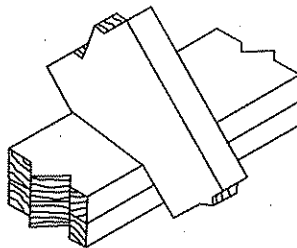
FRAMING AT WINDOW OPENING
ENDWALL

DETAIL NUMBER:		A-10	
SPEC. NUMBER:		45MM	
SCALE: 3/8"=1'-0"			
DATE:	12/14/04	REVISION DATE:	3/15/05
DRAWN BY:	ANGEL	APPROVED BY:	

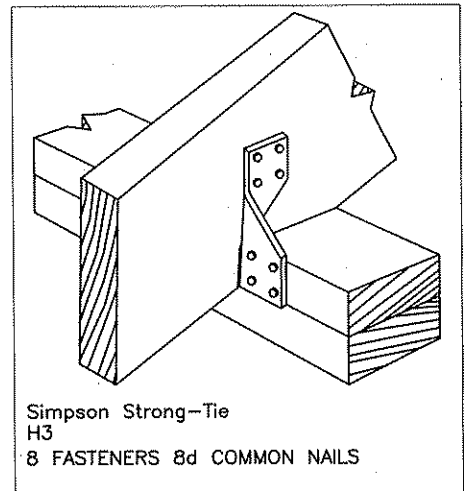


Simpson Strong-Tie
H1
10 FASTENERS 8d COMMON NAILS

1 (H1) ROOF DETAIL
A-10 N.T.S.

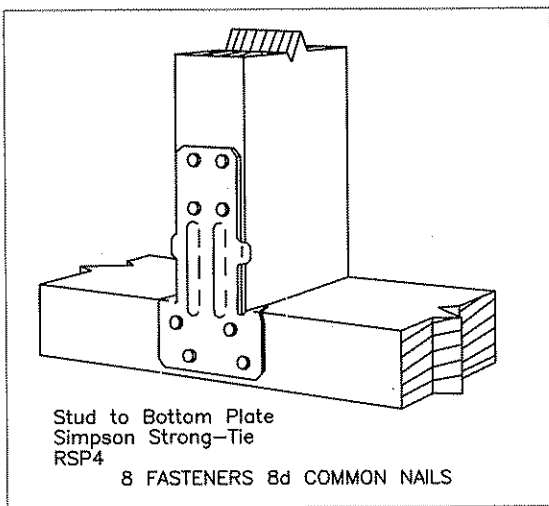


2 RAFTERS NOTCHED AT
TOP PLATE (BIRD MOUTH CUT)
A-10 N.T.S.



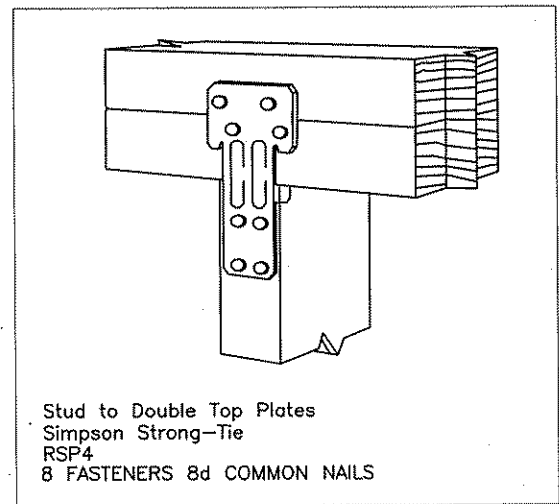
Simpson Strong-Tie
H3
8 FASTENERS 8d COMMON NAILS

3 (H3) ROOF DETAIL
A-10 N.T.S.



Stud to Bottom Plate
Simpson Strong-Tie
RSP4
8 FASTENERS 8d COMMON NAILS

4 (1) TYPICAL RSP4
STUD SINGLE BOTTOM PLATE
A-10 N.T.S.

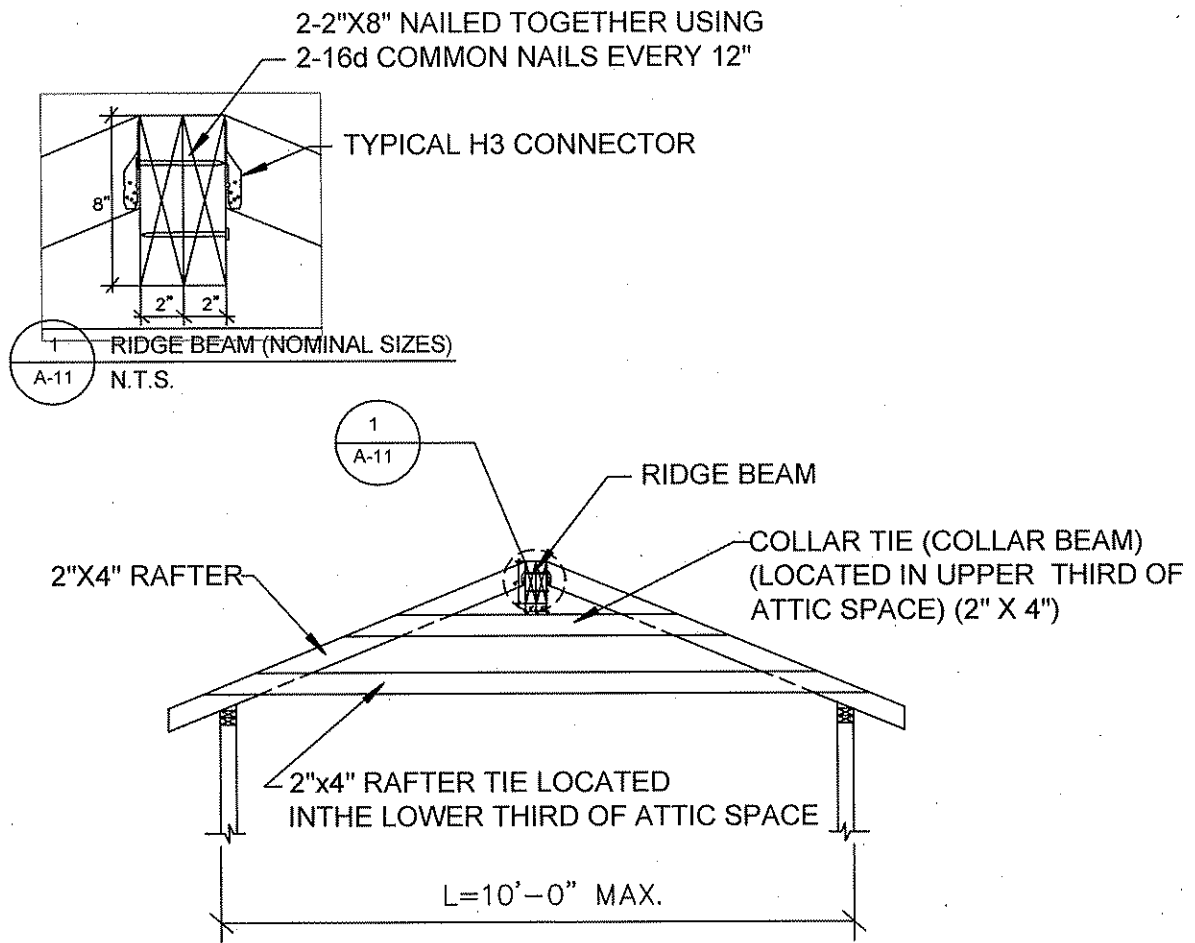


Stud to Double Top Plates
Simpson Strong-Tie
RSP4
8 FASTENERS 8d COMMON NAILS

5 (2) TYPICAL RSP4
STUD TO DOUBLE TOP PLATE
A-10 N.T.S.

THIS DETAIL IS IN COMPLIANCE
WITH THE WIND LOAD PROVISIONS FOR 120 MPH
OF THE PRESCRIPTIVE DESIGN OF THE WOOD FRAME
CONSTRUCTION MANUAL (WFCM) 2001 EDITION

WOOD FRAMED SHEDS	STANDARD DETAIL	DETAIL NUMBER: A-11
	CONNECTOR DETAILS	SPEC. NUMBER: 45MM
		SCALE: N.T.S.
		DATE: 12/14/04 REVISION DATE: 3/15/05
		DRAWN BY: ANGEL APPROVED BY:



THIS DETAIL IS IN COMPLIANCE
WITH THE WIND LOAD PROVISIONS FOR 120 MPH
OF THE PRESCRIPTIVE DESIGN OF THE WOOD FRAME
CONSTRUCTION MANUAL (WFMC) 2001 EDITION

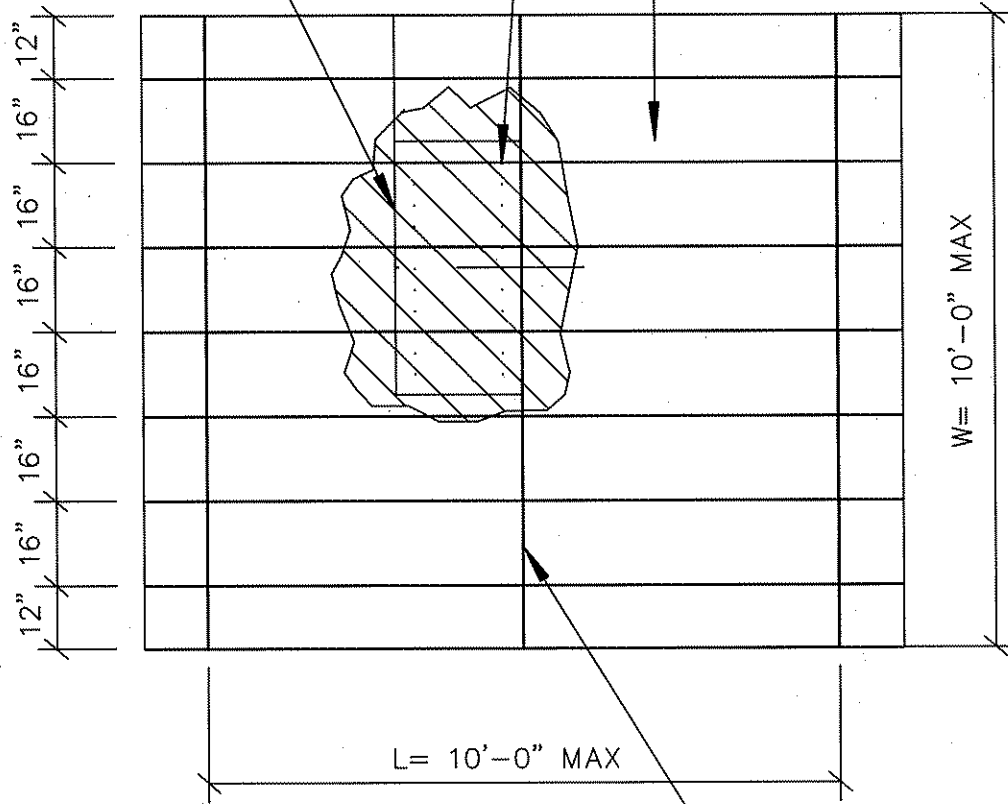
WOOD FRAMED SHEDS	STANDARD DETAIL	DETAIL NUMBER: A-12
	RIDGE BEAM AND COLLAR TIE DETAIL	SPEC. NUMBER: 45MM
		SCALE: 3/8"=1'-0"
		DATE: 12/14/04
		REVISION DATE: 3/15/05
		DRAWN BY: ANGEL
		APPROVED BY:

8d COMMON NAILS
OR
10d BOX NAILS

6" O.C. AT EDGES
12" O.C. INTERMEDIATE

RAFTERS 16" O.C.

ROOF SHEATHING



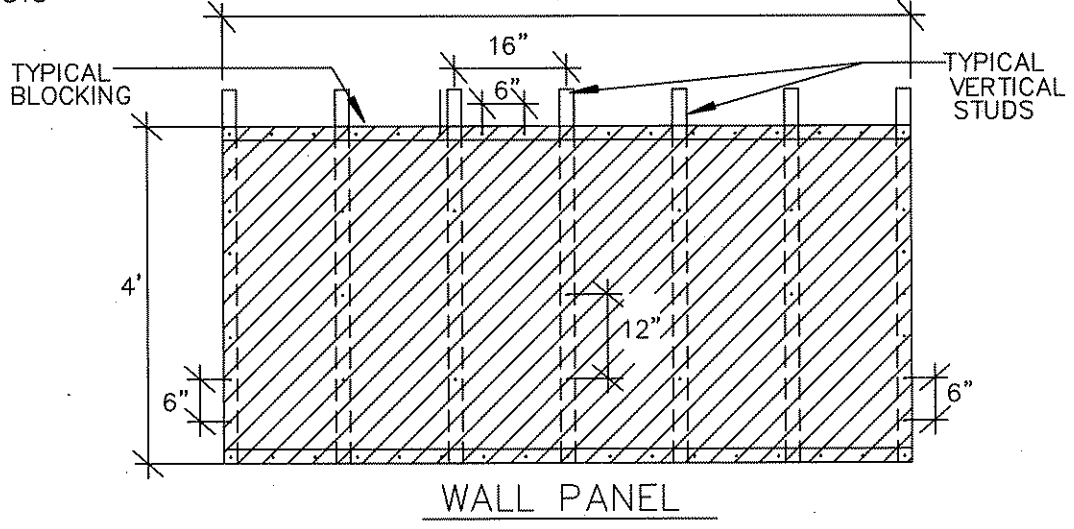
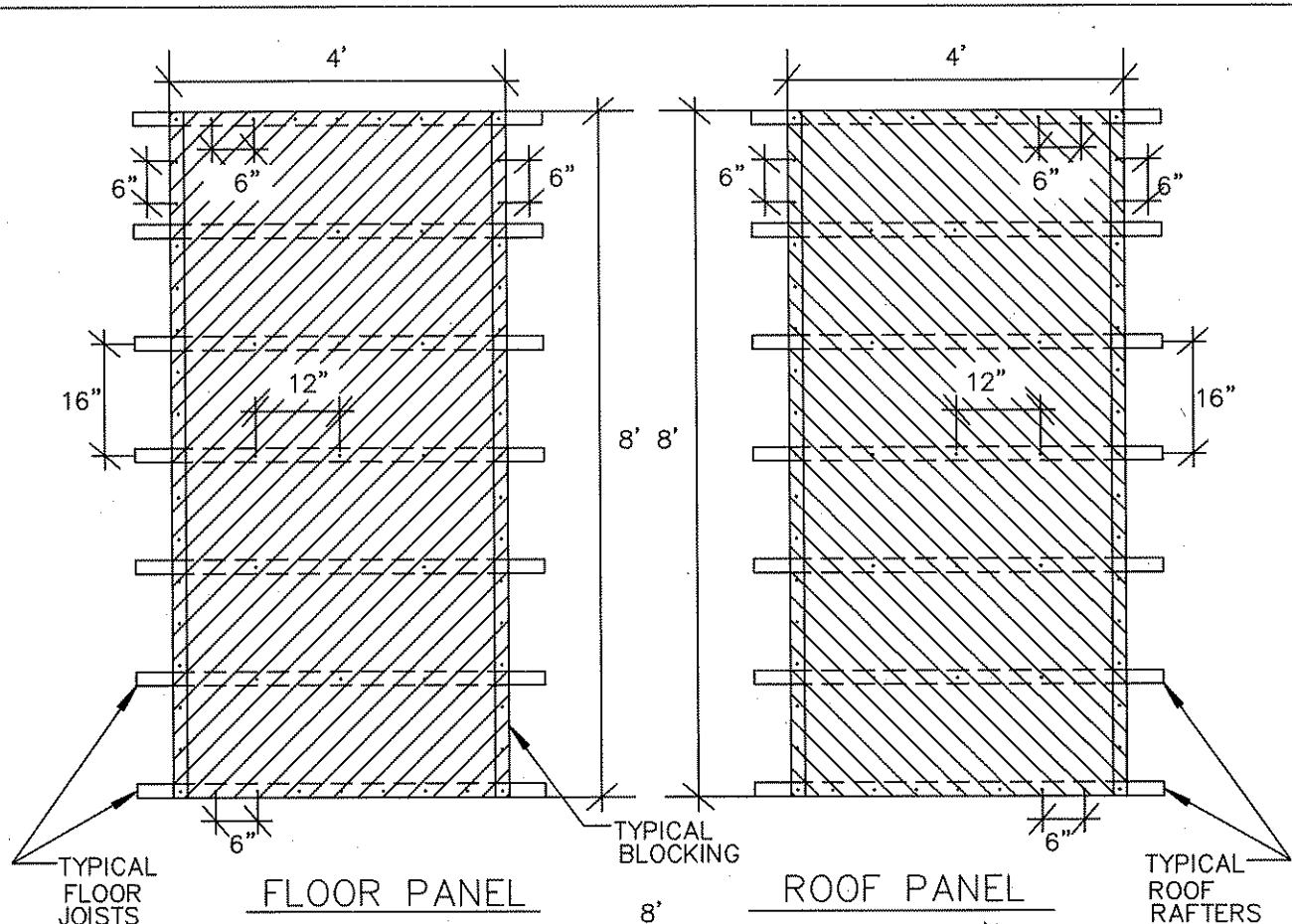
RIDGE BOARD

THIS DETAIL IS IN COMPLIANCE
WITH THE WIND LOAD PROVISIONS FOR 120 MPH
OF THE PRESCRIPTIVE DESIGN OF THE WOOD FRAME
CONSTRUCTION MANUAL (WFMC) 2001 EDITION

WOOD FRAMED
SHEDS

STANDARD DETAIL
ROOF FRAMING PLAN

DETAIL NUMBER:		A-13
SPEC. NUMBER:		45MM
SCALE:		3/8"=1'-0"
DATE:	REVISION DATE:	
12/14/04	3/15/05	
DRAWN BY:	APPROVED BY:	
ANGEL		



WOOD FRAMED SHEDS

NAILING PATTERN

WOOD STRUCTURAL PANELS

DETAIL NUMBER:	A-14	
SPEC. NUMBER:	45MM	
SCALE:	3/8"=1'-0"	
DATE:	12/14/04	REVISION DATE:
DRAWN BY:	ANGEL	APPROVED BY: